

EXHIBIT 2-C



EARTH[®] SHOWERHEAD

**N2912CH, N2912, N2915CH, N2915N, N2915BN
N2917CH, N2917, N2920CH, N2920, N2920BN, N2925N**

OVERVIEW

The Earth[®] Showerhead features a 9-jet adjustable turbo massage that easily rotates from a gentle needle spray to a forceful jet. As the stream is non-aerated, the showerhead experiences less temperature loss — translating to maximum energy savings.



KEY FEATURES

- Three spray settings: 9-jet spray, shower and combo
- Pressure-compensated technology guarantees a consistent flow rate across a wide range of pressure
- Even, vacillating motion with a large spray diameter
- Corrosion-resistant, high-impact ABS thermoplastic body with metal ball joint
- 10 year warranty***

CERTIFICATION & PERFORMANCE REQUIREMENTS

- ASME A112.18.1 / CSA B125.1; ANSI/NSF 61
- WaterSense[®] Labeled



MODEL #	FINISH	FLOW RATE	WATERSENSE
N2912CH	Chrome	1.25 GPM	Yes
N2912	White	1.25 GPM	Yes
N2915CH	Chrome	1.5 GPM	Yes
N2915N	White	1.5 GPM	Yes
N2915BN	Brushed Nickel	1.5 GPM	Yes
N2917CH	Chrome	1.75 GPM	Yes
N2917	White	1.75 GPM	Yes
N2920CH	Chrome	2.0 GPM	Yes
N2920	White	2.0 GPM	Yes
N2920BN	Brushed Nickel	2.0 GPM	Yes
N2925N	White	2.5 GPM	No

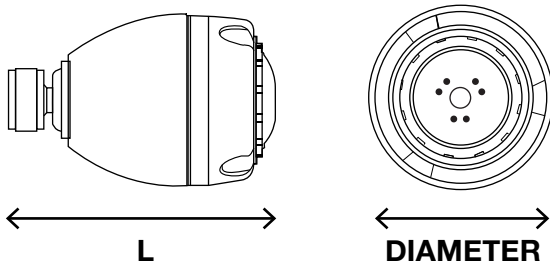
SAVINGS POTENTIAL

	FLOW RATE	WATER	ELECTRIC HEATING	GAS HEATING
DOLLAR SAVINGS	1.25 GPM	\$35.93	\$90.75	\$50.01
UTILITY SAVINGS	1.25 GPM	4,329 gallons	550 kWh	30 therms
DOLLAR SAVINGS	1.5 GPM	\$28.74	\$72.60	\$40.01
UTILITY SAVINGS	1.5 GPM	3,463 gallons	440 kWh	24 therms
DOLLAR SAVINGS	1.75 GPM	\$21.56	\$54.45	\$30.01
UTILITY SAVINGS	1.75 GPM	2,598 gallons	330 kWh	18 therms
DOLLAR SAVINGS	2.0 GPM	\$14.38	\$36.30	\$20.00
UTILITY SAVINGS	2.0 GPM	1,732 gallons	220 kWh	12 therms

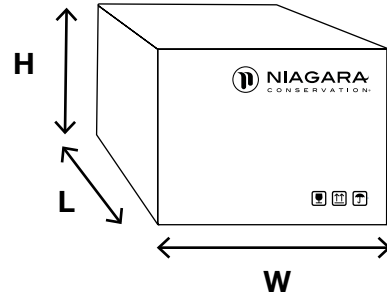
Factors in calculating savings potential: Water and energy savings estimates based on New York TRM v10 and cost estimates based on values provided by U.S. Bureau of Labor and Statistics, 2023.

DIMENSIONS

PRODUCT



CASE



CATALOG #	L	DIA
N2912CH - N2925N	4.125"	2.7"

CATALOG #	L	W	H	CASE QTY.	GROSS WT.
N2912CH - N2925N	14.5"	14.8"	9.2"	50	18.3 lb

10-Year Limited Warranty



AM Conservation[®] guarantees to the original purchaser or recipient of a showerhead that it is free from defects in material and workmanship for a period of 10 years. AM Conservation will at our choice replace any part of the showerhead which is in our opinion defective provided that the product has not been abused, misused, altered, or damaged after its purchase. This includes damage due to the use of tools or harsh chemicals. In the event a product has been discontinued, AM Conservation will replace it with what we determine to be the closest product. AM Conservation is not responsible for labor charges, installation, or other consequential cost. AM Conservation responsibility shall not exceed the original cost of the product.

For warranty claims, please contact:

customercare@amconservation.com

To learn more, please visit:

www.amconservation.com

OVERVIEW

Our Earth® handheld showerhead features a 9-jet adjustable turbo massage that easily rotates from a gentle needle spray to a forceful jet. Because the stream is non-aerated, the showerhead experiences less temperature loss—translating to maximum energy savings.

KEY FEATURES

- Three spray settings: 9-jet spray, shower and combo
- Technology guarantees a consistent flow rate across a wide range of pressure
- Even, vacillating motion with a large spray diameter
- Corrosion-resistant, high-impact ABS thermoplastic body with brass ball joint
- Includes 72" stainless steel hose for chrome models and 72" nylon-reinforced PVC hose and bracket for white model—hoses include a backflow preventer



FINISHES



Chrome

Brushed Nickel

White

CERTIFICATION & PERFORMANCE REQUIREMENTS

- ASME A112.18.1 / CSA B125.1; ASME A112.18.3; ANSI/NSF 61

MODEL #	FINISH	FLOW RATE
N2935	White	2.0 GPM
N2935CH	Chrome	2.0 GPM
N2945BN	Brushed Nickel	1.5 GPM
N2945CH	Chrome	1.5 GPM
N2947CH	Chrome	1.75 GPM

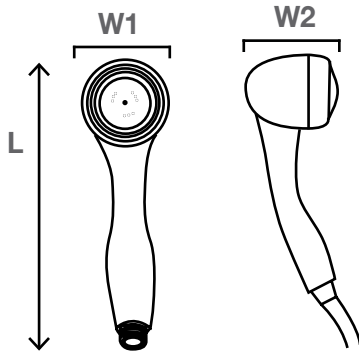


POTENTIAL ANNUAL SAVINGS

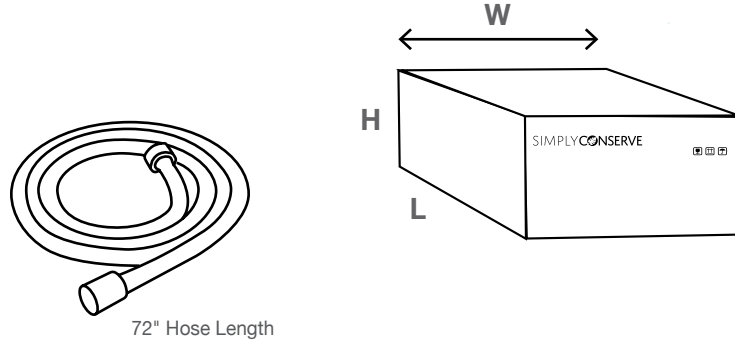
	FLOW RATE	WATER	ELECTRIC HEATING	GAS HEATING
DOLLAR SAVINGS	1.5 GPM	\$73	\$129	\$72
UTILITY SAVINGS	1.5 GPM	8,760 gallons	1,138 kWh	63 therms
DOLLAR SAVINGS	1.75 GPM	\$54	\$96	\$55
UTILITY SAVINGS	1.75 GPM	6,570 gallons	854 kWh	48 therms
DOLLAR SAVINGS	2.0 GPM	\$37	\$72	\$37
UTILITY SAVINGS	2.0 GPM	4,380 gallons	596kWh	32 therms

DIMENSIONS

PRODUCT



CASE



CATALOG #	L	W1	W2
N2935	9.1"	2.7"	3.4"
N2935CH	9.3"	2.7"	3.3"
N2945BN	9.3"	2.7"	3.3"
N2945CH	9.3"	2.7"	3.3"
N2947CH	9.3"	2.7"	3.3"

CATALOG #	L	W	H	CASE QTY	GROSS WT
N2935	13.8"	11.6"	9.4"	12	13 lbs
N2935CH	13.8"	11.6"	9.4"	12	15.35 lbs
N2945BN	13.8"	11.6"	9.4"	12	15.7 lbs
N2945CH	13.8"	11.6"	9.4"	12	15.5 lbs
N2947CH	13.8"	11.6"	9.4"	12	15.5 lbs

*Factors in calculating savings potential:

- 3-person households each using a shower 9 minutes per day, 365 days per year (AWWARF Residential Study)
- Comparing water use with these showerheads vs. a standard 2.5 GPM unit
- US city average water and sewer cost of \$8.3 per 1,000 gallons (study done by NUS Consulting Group 2011)
- Average cost of electricity 0.113¢ per kWh (Energy Star Nov. 2013 Lightbulb Calculator)
- Average cost of gas \$1.137 per therm (Bureau of Labor Statistics April 2014)
- Calculations done by energy.gov

10-Year Limited Warranty



AM Conservation guarantees to the original purchaser or recipient of a showerhead that it is free from defects in material and workmanship for a period of 10 years. AM Conservation will at our choice replace any part of the showerhead which is in our opinion defective provided that the product has not been abused, misused, altered, or damaged after its purchase. This includes damage due to the use of tools or harsh chemicals. In the event a product has been discontinued, AM Conservation will replace it with what we determine to be the closest product. AM Conservation is not responsible for labor charges, installation, or other consequential cost. AM Conservation's responsibility shall not exceed the original cost of the product.

For warranty claims, please contact:

customercare@amconservation.com

To learn more, please visit:

www.amconservation.com

SIMPLYCONSERVE®

Simply Conserve® Seven-Spray Water-Saving Garden Hose Nozzle **CUSTOMIZABLE** 

Our seven-spray water-saving garden hose nozzles have a durable, medium-duty plastic body, cushioned dial ring and grip that protects against damage for long life. They have seven spray settings that range from full-force to a water-saving mist, enabling more water efficiency with less water waste. Available as-is or may be personalized with your logo. Makes a great addition to any water-saving promotion or water conservation kit.



MODEL NUMBER	COLOR	CASE QTY.
NB5179-G	Green	48
NB5179-B	Blue	48

SIMPLYCONSERVE®

Simply Conserve® Deluxe Seven-Spray Water-Saving Garden Hose Nozzle

Our deluxe seven-spray water-saving hose nozzles feature our exclusive volume control dial that regulates and maintains a flow rate of 2.5 GPM for additional water savings. It includes a heavy-duty, durable metal body with a cushioned dial ring and grip for long life. These hose nozzles have seven spray settings that range from full-force to a water-saving mist, enabling more water efficiency with less water waste. With a built-in pressure compensator for consistent water savings regardless of water pressure, these hose nozzles are an exceptional value and make a great giveaway for any water conservation program.



MODEL NUMBER	COLOR	CASE QTY.
56731-7B	Blue	24
56731-7G	Green	24

SIMPLYCONSERVE®

Simply Conserve® Garden Hose Timer **CUSTOMIZABLE** 

Our garden hose timer makes it possible to water the yard without the waste. Set the timer to water early in the morning during times of least evaporation and when it doesn't interfere with a schedule. Setting the timer prevents over-watering. The timer will automatically shut off when it has completed the watering cycle. It is constructed of a durable plastic housing and includes a brass connector. Ideal for watering the lawn, garden and micro-watering hanging baskets and potted plants.



MODEL NUMBER	CASE QTY.
62018-I	50

OVERVIEW

Our Moisture Meter promotes healthier lawns, gardens and shrubs by eliminating improper watering—also a major cause of wasted water. It works by measuring the soil at the root level and instantly identifying if too much or too little watering has occurred. Simply insert the probe into the soil to receive an accurate measurement.

KEY FEATURES

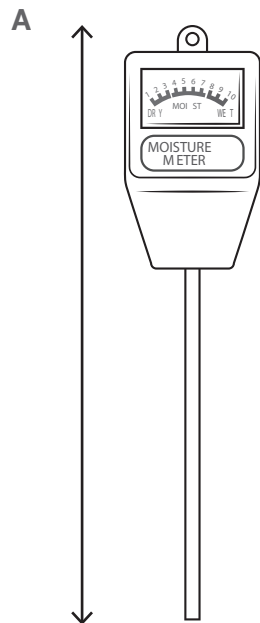
- Batteries not required
- Easy-to-read dial



ITEM CODE	DESCRIPTION	QUANTITY
MM071	Moisture Meter	72
MM071-F	Frog Moisture Meter	72
MM071-L	Ladybug Moisture Meter	72

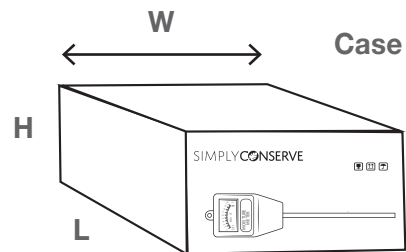
DIMENSIONS

PRODUCT



MODEL	HEIGHT
A	11.3"

PACKAGING



MODEL #	L	W	H	CASE QTY	GROSS WT
MM071	14.7"	12.4"	15.3"	72	13.75 lbs
MM071-F	14.9"	12.7"	15"	72	12.7 lbs
MM071-L	15.2"	12.7"	15.5"	72	13.1 lbs

For warranty claims, please contact:

customercare@amconservation.com

To learn more, please visit:

www.amconservation.com

OVERVIEW

Our Standard Faucet Aerators are water saving, increase spray velocity and reduce splash. They are great for any application including both the kitchen and bathroom sinks. These faucet aerators offer savings by using less water, as well as less energy to heat the water.

KEY FEATURES

- Compatible with most conventional showerheads
- Fits most male and female threaded faucets (male: 15/16-27; female: 55/64-27)
- Available in bulk, individually packaged or in contractor 10-packs
- Pressure compensating technology guarantees a constant flow rate across a wide range of pressure



CERTIFICATION & PERFORMANCE REQUIREMENTS

- Low lead compliant (AB-1953)
- ANSI specification A112.18.1, CSA, CEC, DOE
- ASME A112.18.1 / CSA B125.1
- Meets Performance Requirements for: California Energy Commission, Department of Environmental Conservation Canadian Standards Association, Federal, State and Local plumbing standards

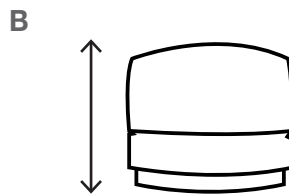
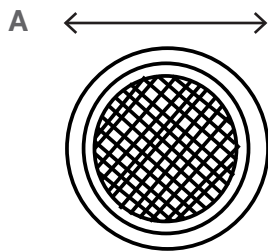
MODEL #	DESCRIPTION	FINISH	WATERSENSE
FA014CPB1	Bubble	Chrome	No
FA012CPB1	Bubble	Chrome	No
FA013CPB1	Bubble	Chrome	No
FA012CPB1-WS	Bubble	Chrome	Yes
N3210-SAW	Bubble	Chrome	Yes
N3100-2.2	Bubble	Chrome	No

POTENTIAL ANNUAL SAVINGS*

SAVINGS TYPE	FLOW RATE	WATER	ELECTRIC HEATING	GAS HEATING
Dollar	1.0 GPM	\$104	\$67	\$37
Utility	1.0 GPM	10,512 Gallons	594 kWh	33 Therms
Dollar	1.5 GPM	\$51	\$39	\$21
Utility	1.5 GPM	6,132 Gallons	347 kWh	19 Therms
Dollar	2.0 GPM	\$15	\$11	\$5
Utility	2.0 GPM	2,022 Gallons	99 kWh	5 Therms

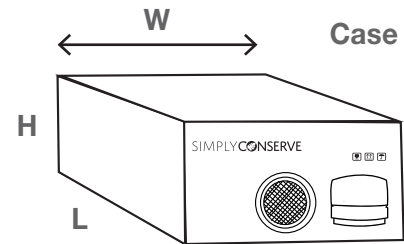
DIMENSIONS

PRODUCT



*Dimensions are subject to change

PACKAGING



MODEL	WIDTH
A	0.90"
B	0.75"

MODEL #	L	W	H	CASE QTY	GROSS WT
FA014CPB1-N3100-2.2	13 3/5"	14"	11 2/5"	1000	33.9 lb

10-Year Limited Warranty

AM Conservation Group, Inc. guarantees to the original purchaser or recipient of an aerator that it is free from defects in material and workmanship for a period of 10 years. AM Conservation Group, Inc. will at our choice replace any part of the aerator which is in our opinion defective provided that the product has not been abused, misused, altered, or damaged after its purchase. This includes damage due to the use of tools or harsh chemicals. In the event a product has been discontinued, AM Conservation Group, Inc. will replace it with what we determine to be the closest product. AM Conservation Group, Inc. is not responsible for labor charges, installation, or other consequential cost. AM Conservation Group, Inc.'s responsibility shall not exceed the original cost of the product.

*Potential Annual Savings

Factors in calculating savings potential:

- 3-person households with each person using a faucet 8 minutes per day, 365 days per year (AWWARF Residential Study)
- Comparing water use with these aerators vs. a standard 2.2 GPM unit
- US city average water and sewer cost of \$8.3 per 1,000 gallons (study done by NUS Consulting Group 2011)
- Average cost of electricity 0.113¢ per kWh (ENERGY STAR® Nov. 2013 Lightbulb Calculator www.energystar.gov)
- Average cost of gas \$1.137 per therm (Bureau of Labor Statistics April 2014)
- Calculations done by www.energystar.gov

For warranty claims, please contact:

customercare@amconservationgroup.com

To learn more, please visit:

www.amconservationgroup.com

DUAL-SPRAY SWIVEL AERATOR

N3126P-C

OVERVIEW

The dual-spray swivel aerator contains a 360° swivel which helps to reduce water by directing the flow wherever it's needed. To meet the needs of any task, the aerator offers two stream options: a full-force multiple stream and a splash-free bubble stream.



KEY FEATURES

- Dual-threaded
- Fits most male- and female-threaded faucets, Male: 15/16-27, Female: 55/64-27
- Pressure-compensating technology guarantees a consistent flow rate across a wide range of pressure
- Does not contain any unplated brass parts
- Soft rubber nozzles for easy cleaning and decalcification



Certified by
CSA Group

CERTIFICATION & PERFORMANCE REQUIREMENTS

- ASME A112.18.1 / CSA B125.1; ANSI/NSF 61

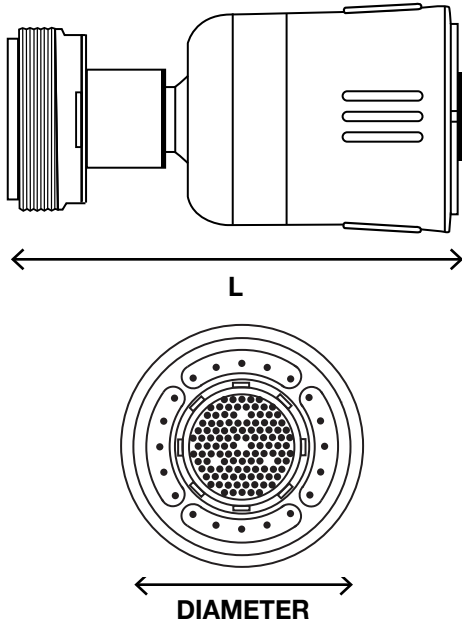
MODEL #	SPRAY	FINISH	FLOW RATE
N3126P-C	Aerated Bubble/Needle	Chrome	1.5 GPM

POTENTIAL ANNUAL SAVINGS

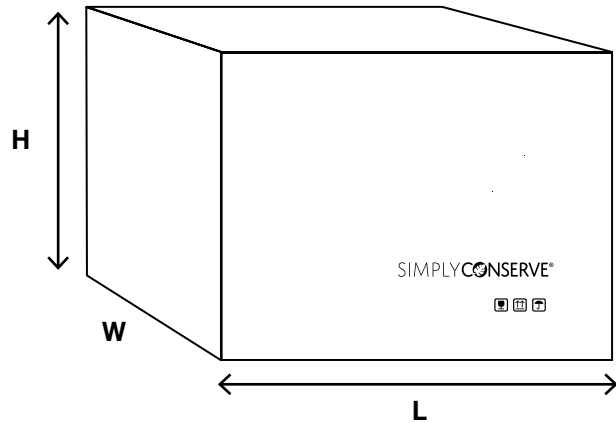
	FLOW RATE	WATER	ELECTRIC HEATING	GAS HEATING
DOLLAR SAVINGS	1.5 GPM	\$51	\$39	\$21
UTILITY SAVINGS	1.5 GPM	6,132 gallons	347 kWh	19 therms

DIMENSIONS

PRODUCT



PACKAGING



CATALOG #	L	DIA
N3126P-C	2.2"	1.3"

CATALOG #	L	W	H	CASE QTY.	GROSS WT.
N3126P-C	15.4"	15.5"	7.7"	200	19.2 lbs.

*Factors in calculating savings potential:

- 3-person households each person using a faucet 8 minutes per day, 365 days per year (AWWARF Residential Study)
- Comparing water use with these aerator vs. a standard 2.2 GPM unit
- US city average water and sewer cost of \$8.3 per 1,000 gallons (study done by NUS Consulting Group 2011)

- Average cost of electricity 0.113¢ per kWh (ENERGY STAR® Nov. 2013 Lightbulb Calculator - http://www.energystar.gov/?c=cfls.pr_cfls_savings)
- Average cost of gas \$1.137 per therm (Bureau of Labor Statistics April 2014)
- Calculations done by <http://www.fishnick.com/savewater/tools/watercalculator>

10-Year Limited Warranty



AM Conservation guarantees to the original purchaser or recipient of an aerator that it is free from defects in material and workmanship for a period of 10 years. AM Conservation will at our choice replace any part of the aerator which is in our opinion defective provided that the product has not been abused, misused, altered, or damaged after its purchase. This includes damage due to the use of tools or harsh chemicals. In the event a product has been discontinued, AM Conservation will replace it with what we determine to be the closest product. AM Conservation is not responsible for labor charges, installation, or other consequential cost. AM Conservation's responsibility shall not exceed the original cost of the product.

For warranty claims, please contact:

customer@amconservation.com

To learn more, please visit:

www.amconservation.com

OVERVIEW

Our leak-detection tablets are used to rapidly identify a leaky toilet, which can save thousands of gallons of water per year. Damaged flappers can leak water undetected down the drain. Simply place the leak-detection tablets into the toilet's tank, and if blue water appears in the bowl, there is a damaged flapper that needs to be replaced. These dye tablets are nontoxic, packaged in moisture-resistant packs, and include easy-to-follow bilingual directions. Brandable packaging is available.



FEATURES

- Bilingual packaging
- Non-toxic
- Not intended for digestion
- Brandable packaging available

SPECIFICATIONS

CATALOG #	CASE QTY
N3140	3,000

To learn more, please visit:

www.amconservation.com

STOP IN TIME[®] SHOWER TIMER

**SS010-S, SS010-S-RB,
SS010-S-BL, SS010-S-BLB**

OVERVIEW

Our Stop In Time[®] shower timer will help to achieve more efficient showering. The 5-minute shower notification works by rotating the shower timer at the beginning of a shower and activating the hourglass-style sand timer. The easy-to-use device affixes to a shower wall with a suction cup. These timers can be customized with your city, agency, company name, logo, and phone number.

KEY FEATURES

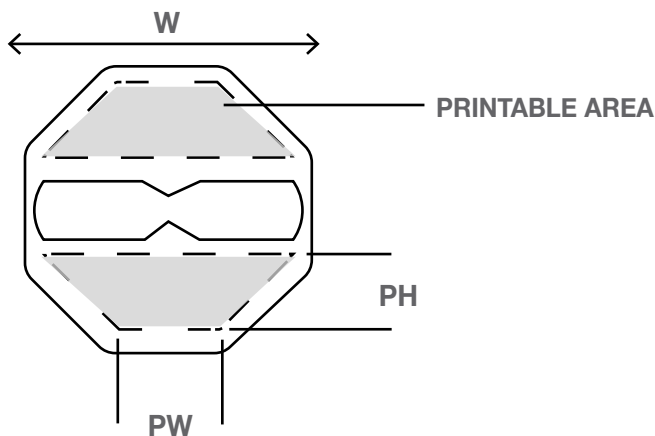
- Anti-slip; suction to shower wall firmly
- Hourglass sand timer allows for 5-minute shower
- Requires no assembly or maintenance
- Saves water and energy used to heat water
- Durable

SPECIFICATIONS

CATALOG #	DESCRIPTION	CASE QTY
SS010-S	Red, with working	135
SS010-S-RB	Red, blank/custom	135
SS010-S-BL	Blue, with wording	135
SS010-S-BLB	Blue, blank/custom	135



DIMENSIONS



W	PW	PH
2.9"	1.2"	0.9"

To learn more, please visit:

www.amconservation.com